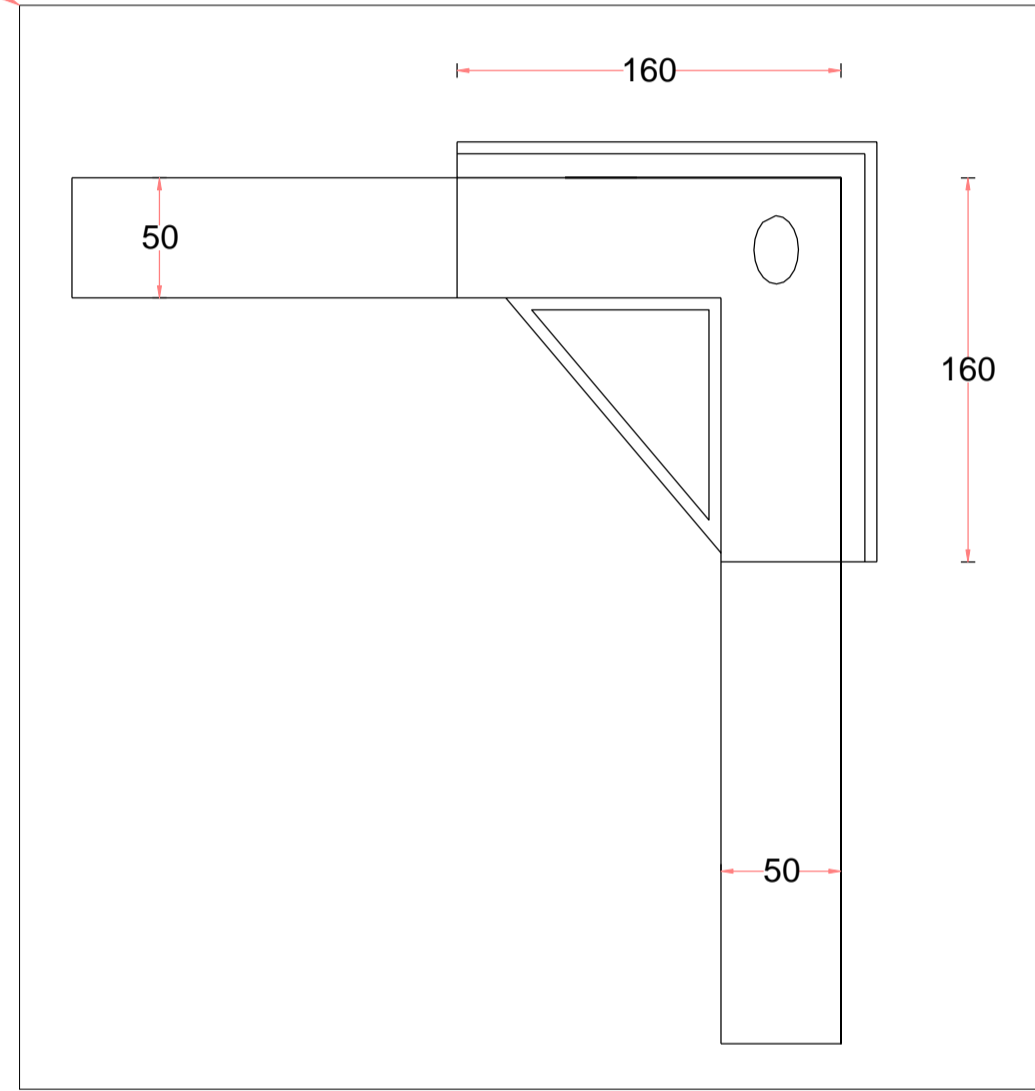


PLAN

**DETACHABLE CONTAINER PLAN AND ELEVATION**



NOTE

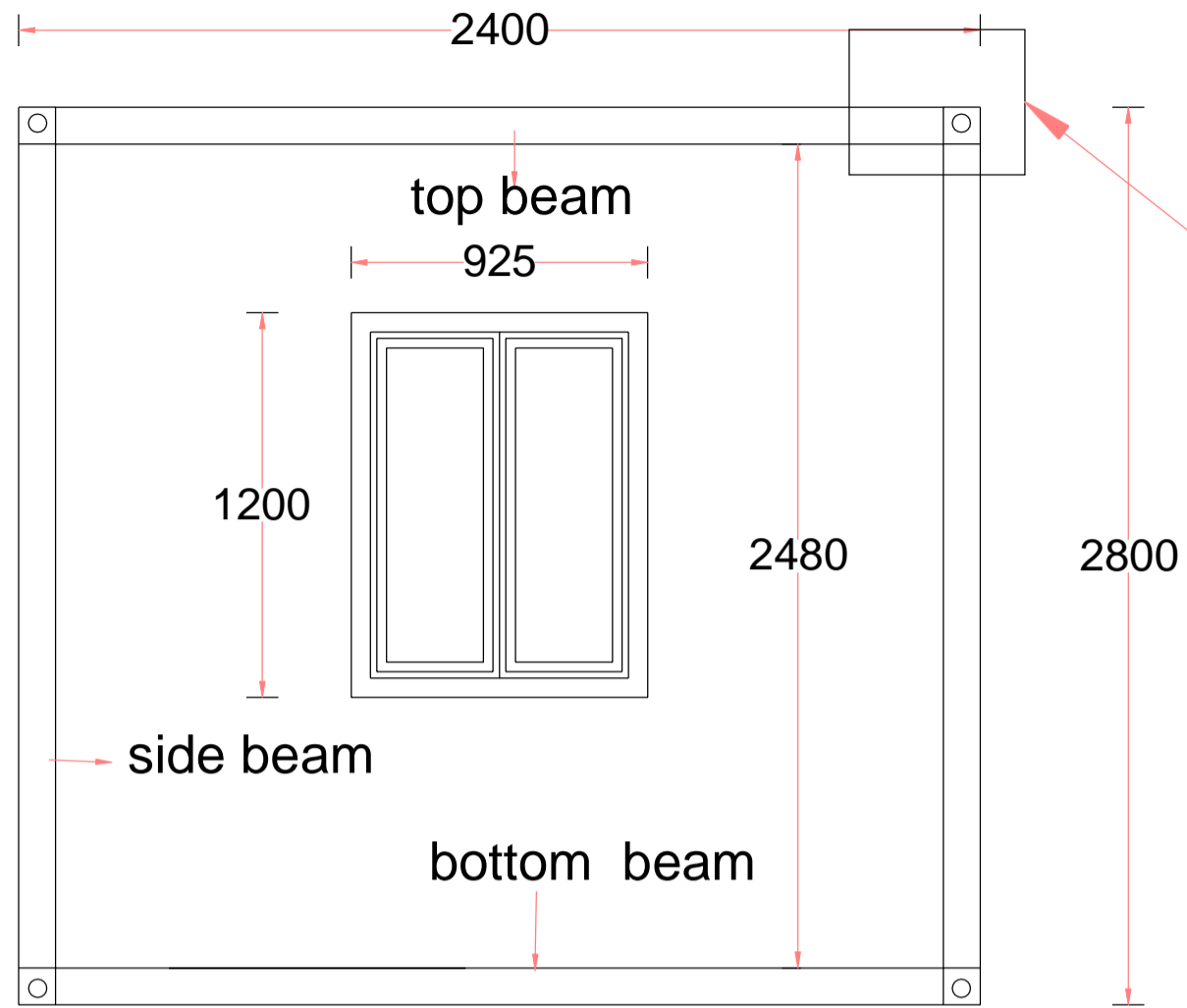
The detached container house don't include the electricity part, such like the cable, lamp, interrupter, socket, etc...The customers may purchase in local market, we could also help you purchase here according to your requirements with extra charge.

La casa contenedor desmontable no incluido la electricidad, así como los cables, lámpara, apagador, tomacorrientes, etc...Los clientes pueden comprar en el mercado local, también podríamos ayudarle para comprarlos aquí en China según su necesidad, con costo extra.

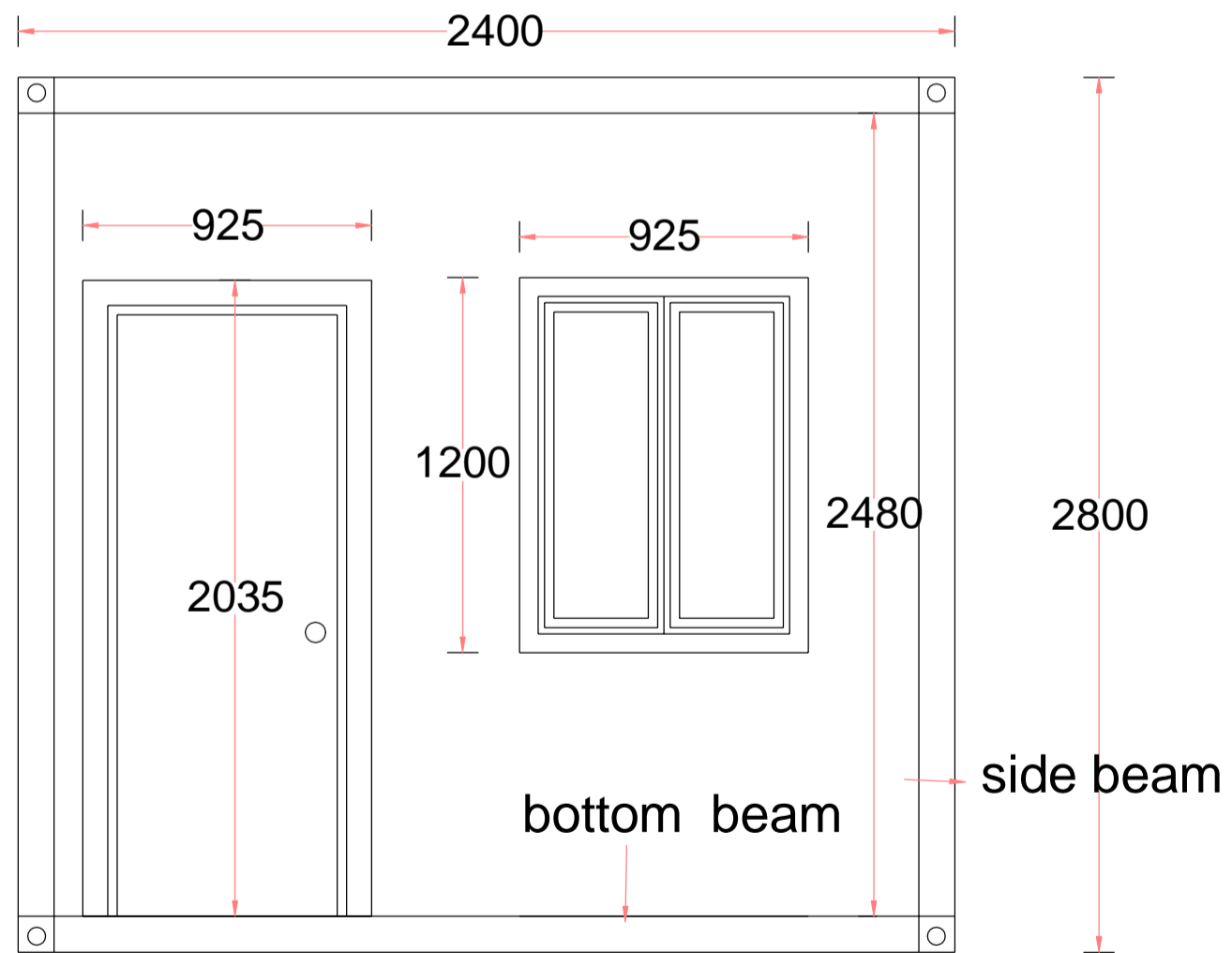
Bottom Side Beam, bending steel plate 160*55*5630mm	
Bottom End Beam, bending steel plate 160*55*2680mm	
Top Side Beam, bending steel plate 160*55*5630mm	
Top End Beam, bending steel plate 160*55*2680mm	
Corner fittings, bending steel plate steel:160*160*160*4.0mm .white color	
Column, bending steel plate steel:160*160*2480*2.3mm, white color	
Square tube 80*80*2990mm, 40*80*2990mm	
Square tube 50*50*2800mm, 40*80*1880mm, 40*60*1880mm	
EPS panel 50mm Double Color-coated steel EPS panel (steel:0.326mm, density: 12kg)	
Interior Ceiling 900*2950*0.286mmmm	
Glass Wool Thickness of 50mm Glasswool Mat, Density 10KG/m³	
Roof plate & groove 0.476mm Color Steel sheet .white color , 1.2mm groove	
MGO Board 1147*2790*15mm MGO Fireproof Board	
Steel Door one door_size 925*2035mm Steel Door .flat door .white color	
Aluminum windows Aluminum security window 925*1200mm	
window & door edge,angle aluminum, groove of wall, full set	

	DETACHABLE BASIC MODEL	LENGTH	WIDTH	HEIGHT	AREA
		5950mm	2400mm	2800mm	14.28m²

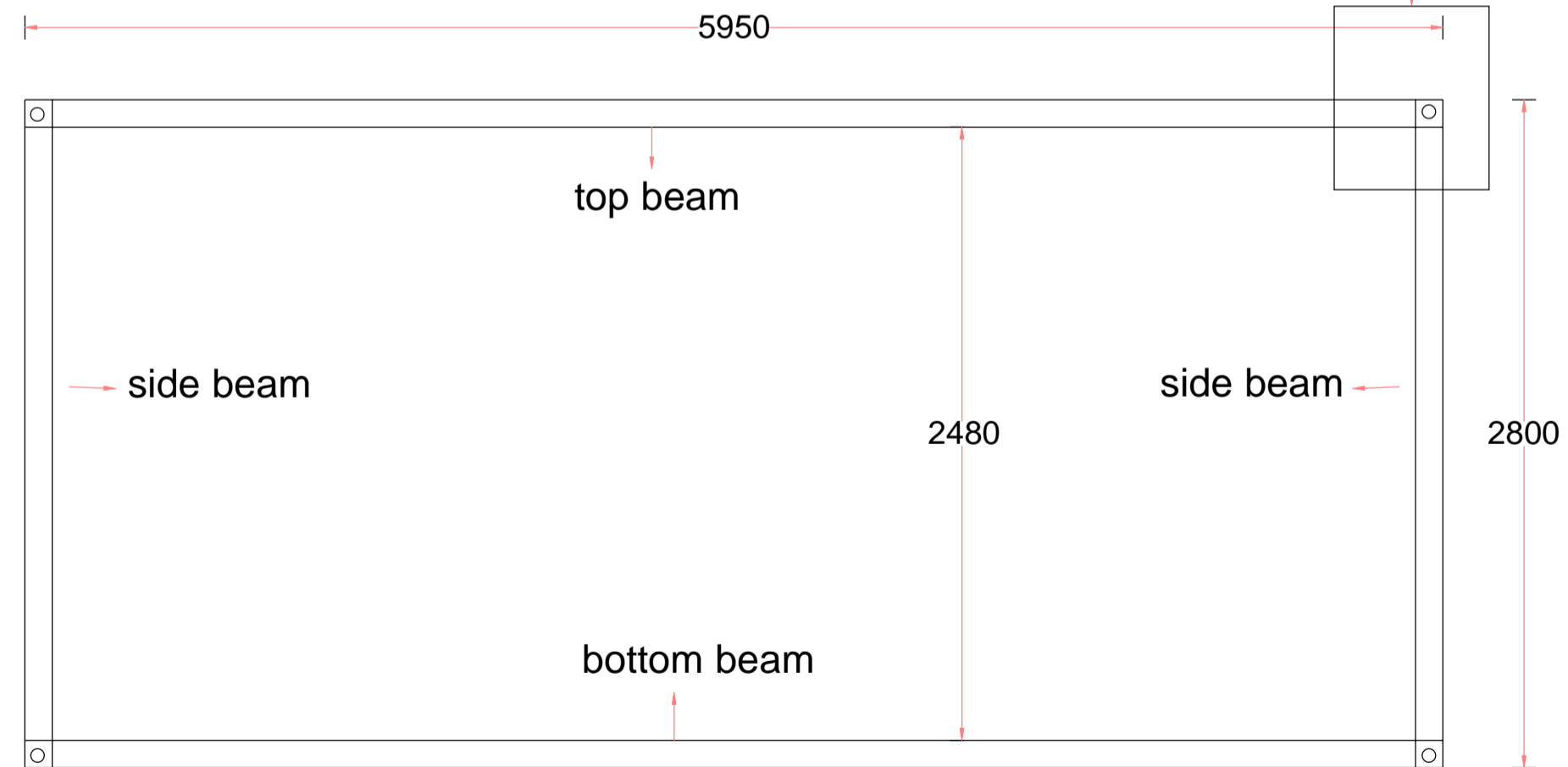
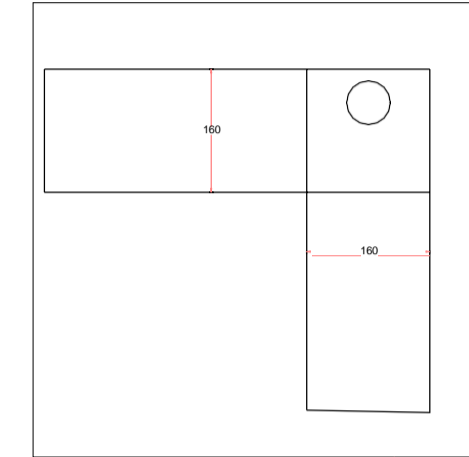
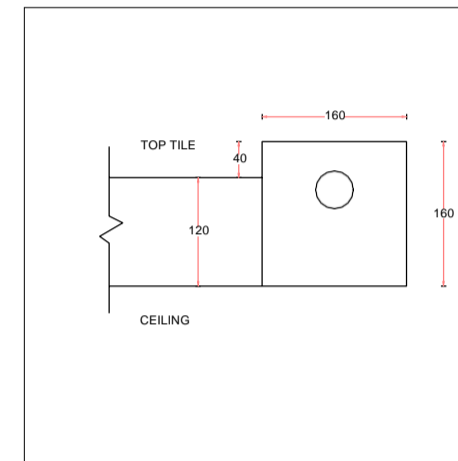
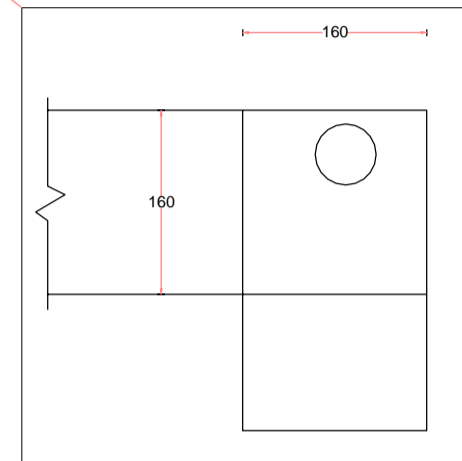
DETACHABLE CONTAINER PLAN AND ELEVATION



BACK



FRONT



Bottom Side Beam, bending steel plate 160*55*5630mm	
Bottom End Beam, bending steel plate 160*55*2680mm	
Top Side Beam, bending steel plate 160*55*5630mm	
Top End Beam, bending steel plate 160*55*2680mm	
Corner fittings, bending steel plate steel:160*160*160*4.0mm .white color	
Column, bending steel plate steel:160*160*2480*2.3mm, white color	
Square tube 80*80*2990mm, 40*80*2990mm	
Square tube 50*50*2800mm, 40*80*1880mm, 40*60*1880mm	
EPS panel 50mm Double Color-coated steel EPS panel (steel:Q.326mm, density: 12kg)	
Interior Ceiling 900*2950*0.286mm	
Glass Wool Thickness of 50mm Glasswool Mat, Density 10KG/m³	
Roof plate & groove 0.476mm Color Steel sheet white color , 1.2mm groove	
MGO Board 1147*2790*15mm MGO Fireproof Board	
Steel Door one door .size 925*2035mm Steel Door .flat door .white color	
Aluminum windows Aluminum security window 925*1200mm	
window & door edge,angle aluminum, groove of wall, full set	

	DETACHABLE BASIC MODEL	LENGTH	WIDTH	HEIGHT	AREA
		5950mm	2400mm	2800mm	14.28m²